

STORMWATER SYSTEMS

MAY NEWSLETTER

[New Product Alert!](#) | [Project Manager of the Month Award](#) | [Invert Level Solution](#)
[New Sales Admin](#) | [2021 Stormwater Conference](#) | [Installer Training](#) | [Moving Premises](#)

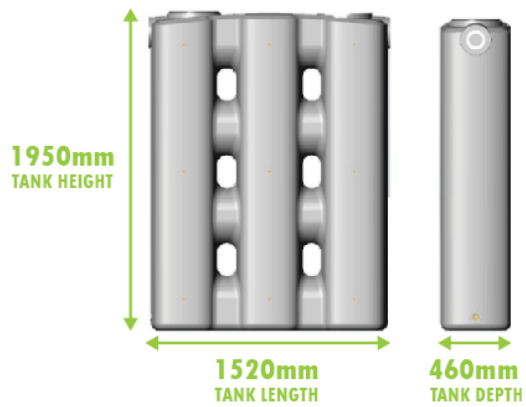
New 1,000L Above Ground Tank Available now!



We are excited to launch our new 1,000 litre above ground tank, stormPANEL. Designed for easy expansion, the stormPANEL starts at 1,000L and can be joined together, increasing its storage capacity to suit your storm water requirements. The slim design is ideal for existing and new homes where space is limited. stormPANEL tanks are manufactured from the highest quality polyethylene available which is ideally suited to our moulding technique giving long life and trouble-free service. The material is certified to AS/NZ4766:2006, AS/NZS4020:205, and AS/NZS 2070 so are suitable for potable water.

/stormPANEL DIMENSIONS

Wall Restraint, Pole Restraint and 50mm
Multi-tank base connection kits available.



/COLOUR OPTIONS

Please Note: Colours will not be 100% accurate to tank colour due to digital variations



[Learn More](#)

Project Manager of the Month!

We think it is important to reward hardworking people with great attitudes. We are excited to announce this months 'Project Manager of the Month' award winner!



This month, Billy from Changda has been recognized for his on-site presence and well-informed decisions. He is greatly appreciated by our team. Thank you Billy for everything you do! We look forward to the next projects with him and Changda!

Fancy winning yourself \$100 Prezzy gift card?

Check out our newsletter next month to see if you are our lucky winner!

Pacific Gardens

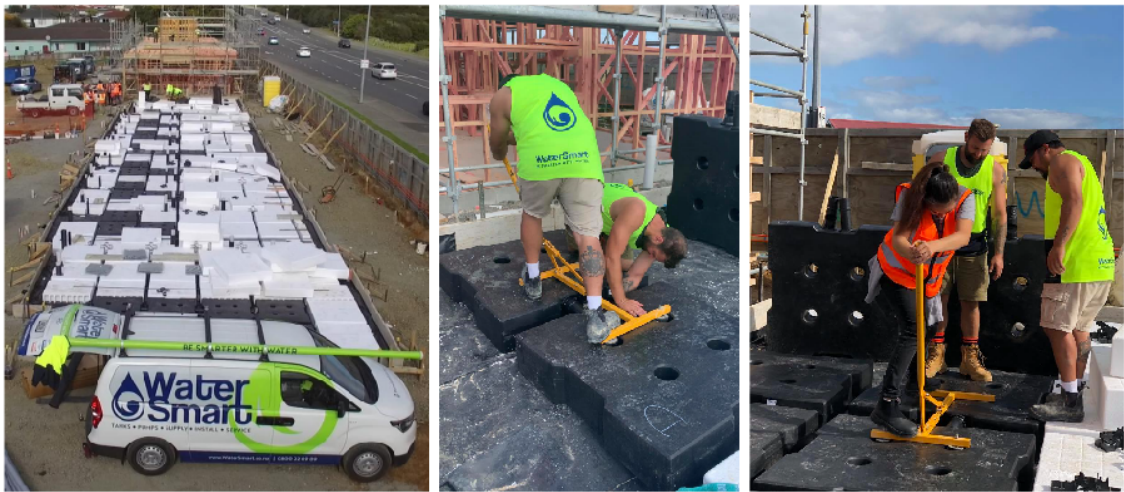


Invert levels of doom, lack of space, and impossible to dig the site. What would you do?

Aquacomb is one of Changda's only solutions to their low invert requirements! Our Aquacomb system has made their civil works and development cheaper and faster! Changda's project manager, Billy, said our Aquacomb pods were installed so fast they could bring their concrete slab pour dates forward by an entire week! Aquacomb pods are currently being installed throughout the entire stage 1D of Pacific Gardens in Manakau. Every slab in this stage will have 3,000 litres of Aquacomb water storage.

Across 103 concrete slabs, that's 309,000 litres of Aquacomb water storage! The homeowners now have water tanks that are out of sight, and allows them to freely use their backyard without an above ground tank in the way.

Aquacomb has saved the day yet again by being the faster, cheaper and best solution for invert level issues.



Some of our team went to visit the site earlier this month to learn more and see the action. Our new Sales Administrator, Harry, jumped on the dog bone tool and pushed a few pods together showing the team what she's made of!

Installer Training



Our Operations Manager, Roger, is currently in Palmerston North training Kelly's Plumbing and Semtex Plumbing & Plumbing.

Semtex Plumbing & Pipelaying have just installed 27 Aquacomb pods under a patio. This installation only took 4.5 hours! Our client now has 9,450 litres of water storage to re-use throughout their house!

Are you interested in becoming an Approved Aquacomb Installer too?

I'm interested!

New Sales Administrator - Harry Waenga



We are pleased to welcome Harry Waenga to our rapidly growing team! Harry is our new sales administrator and will be our front-line contact with our customers and provide admin support to the Sales team.

Harry is pictured with Olive, one of our longest-standing team members and head of our Emotional Support department. Olive is a quick learner and soon to overtake our admin team in their roles!

We are excited to have Harry join us and know she will be warmly welcomed by our clients!

Stormwater Conference 2021





We had an awesome time at the 2021 Stormwater Conference last week run by Water New Zealand! It was a great opportunity for us to launch stormPANEL, our new 1,000L water tank by Devan Plastics Limited. This tank is available immediately - call us now or check out our website for more information!

Check out our water tanks now!

We're Moving Premises!

We will be operating from Level 2, 74 Patiki Road on the 18th June. We have unfortunately outgrown our current premises after moving here 6 months ago! We will be staying in Avondale, but moving even closer to the North-Western motorway. We will be right next to the Patiki Road westbound on-ramp!

We have loved working out of our shared office space at Colony in Avondale and it will be sad to leave!





If you or anyone you know is looking for a light, clean desk or anything up to 200m2 of office space and may be interested in joining a very cool bunch of growing businesses, please get in touch!

[Checkout Colony](#)

